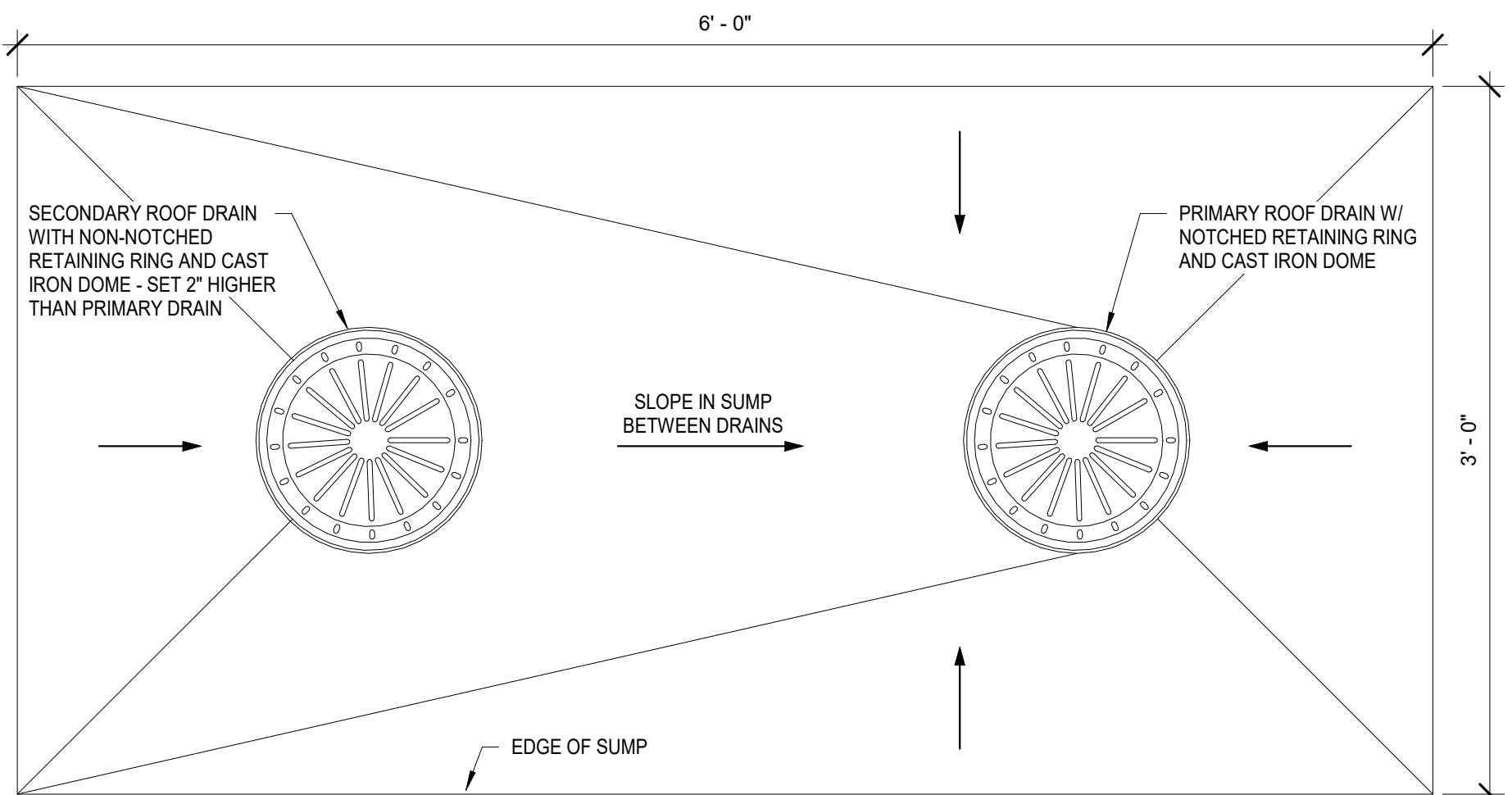


NOTES:

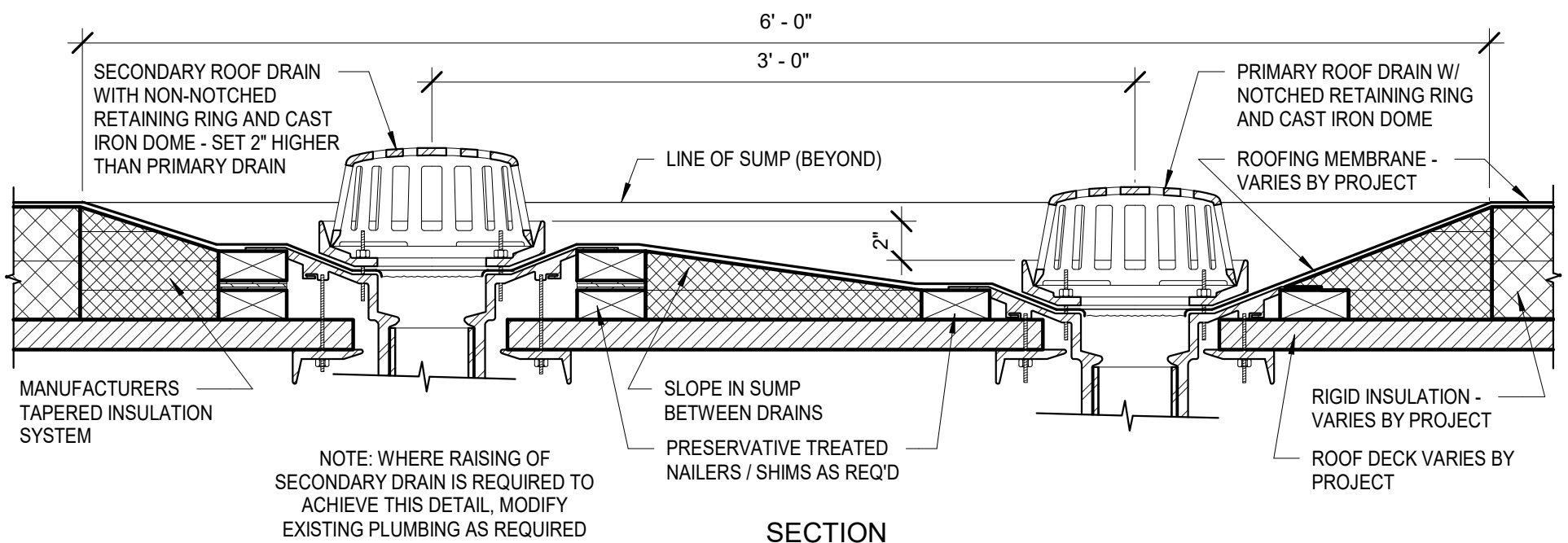
ANY EXTG. DRAIN LINES THAT ARE CLOGGED WITH DEBRIS, BALLAST, LEAVES ETC. SHALL BE CLEANED OUT AND ARE TO BE VERIFIED TO BE IN GOOD WORKING ORDER

USE MANUFACTURER'S TAPERED INSULATION PANELS TO CREATE PRIMARY DRAIN SUMPS - NO HAND CUT INSULATION WILL BE ALLOWED

WHERE EXISTING PLASTIC DRAIN DOMES OCCUR, REPLACED WITH NEW CAST IRON DOMES



PLAN



SECTION